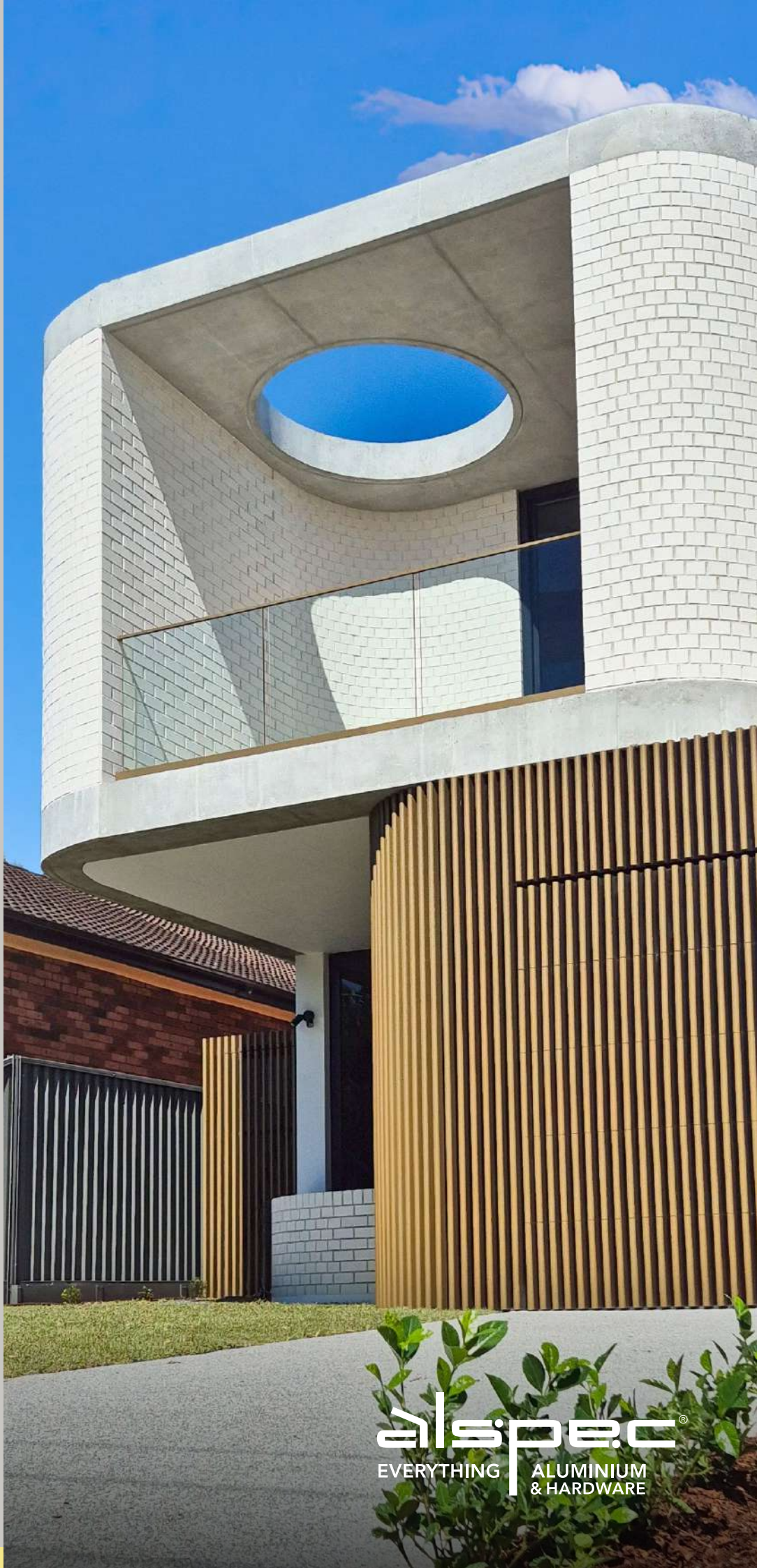


ALSPEC SOLAIRE SOLAR CONTROL SOLUTIONS

Designed &
Certified in
Australia

alspec.com.au



alspec[®]
EVERYTHING ALUMINIUM
& HARDWARE



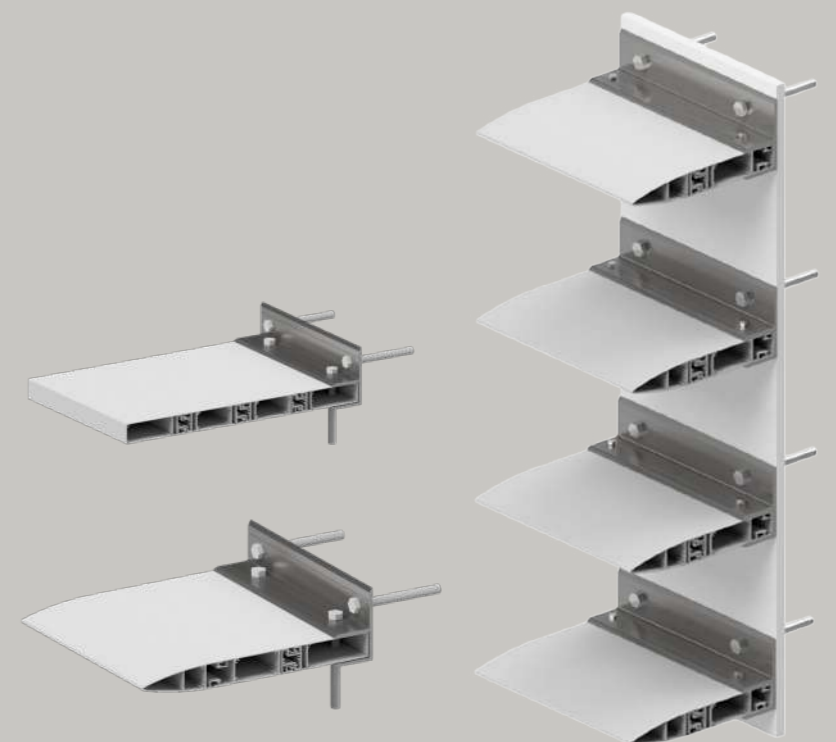
Solaire™ Fixed Louvre 45mm

The Solaire™ range of self mating louvre fins has been developed to provide both Architects and Fabricators a flexible, yet simple solution to external solar control requirements that seamlessly integrate with Australia's unique architectural landscape. By utilising a range of self mating clip together blades and accessories, the Solaire™ product can be used as:

- Horizontal fins
- Vertical blades
- Window hoods

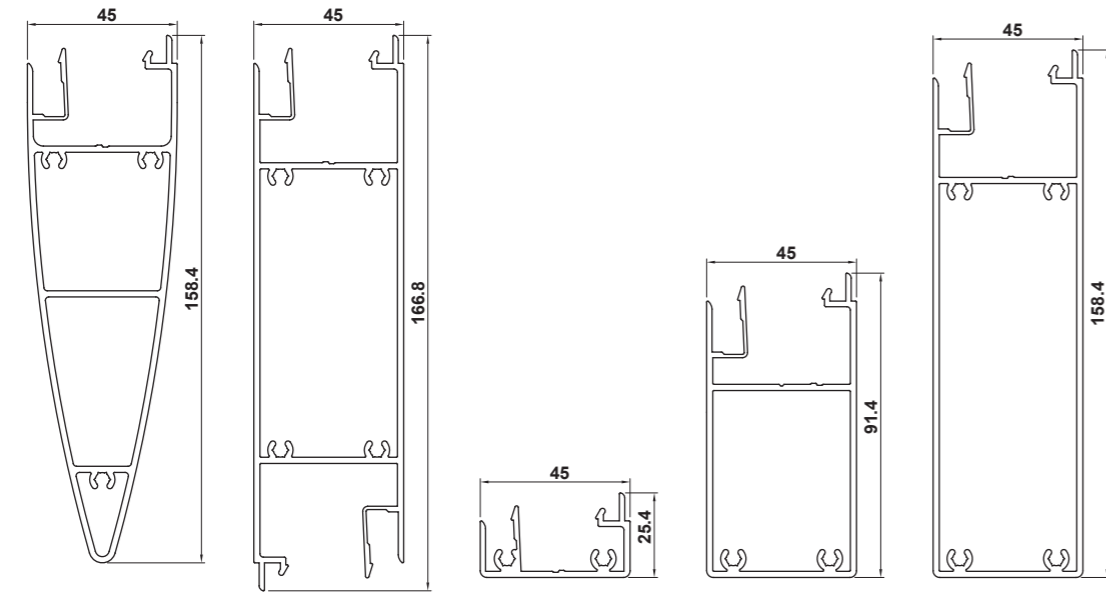
The Solaire™ range has been built on the back of Alspec's architectural systems knowledge, which balances the needs of both form and function. Alspec's design offers a robust solution that offers our customers an economical and flexible fabrication option.

With countless configurable sizes and aesthetic possibilities, the Solaire™ range is the perfect solution for your next residential or commercial project.



Solaire™ Fixed Louvre 45mm

Fixed Louvres Options & Typical Configuration



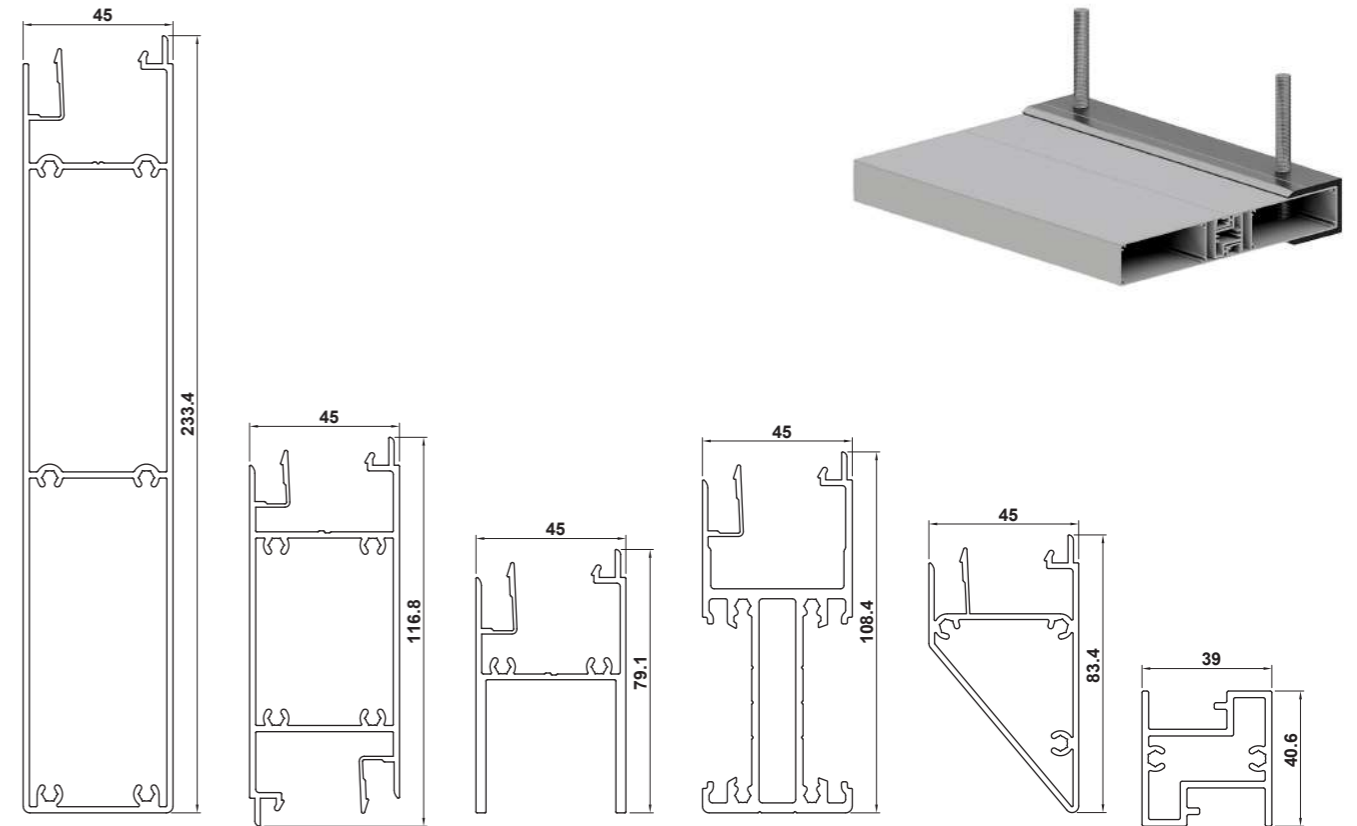
LVE351
150mm x 45mm ELLIPTICAL MATING LOUVRE
Ixx = 1714.85 x 10³ mm⁴
Iyy = 195.71 x 10³ mm⁴

LVE352
150mm x 45mm RECTANGULAR MATING LOUVRE MIDDLE
Ixx = 2149.88 x 10³ mm⁴
Iyy = 325.50 x 10³ mm⁴

LVE353
17mm x 45mm LOUVRE END CAP
Ixx = 10.97 x 10² mm⁴
Iyy = 61.10 x 10² mm⁴

LVE355
83mm x 45mm RECTANGULAR MATING LOUVRE
Ixx = 483.42 x 10² mm⁴
Iyy = 189.80 x 10² mm⁴

LVE356
150mm x 45mm RECTANGULAR MATING LOUVRE END
Ixx = 2250.93 x 10³ mm⁴
Iyy = 312.79 x 10³ mm⁴



LVE358
225 x 45mm RECTANGULAR MATING LOUVRE
Ixx = 6610.01 x 10³ mm⁴
Iyy = 459.28 x 10³ mm⁴

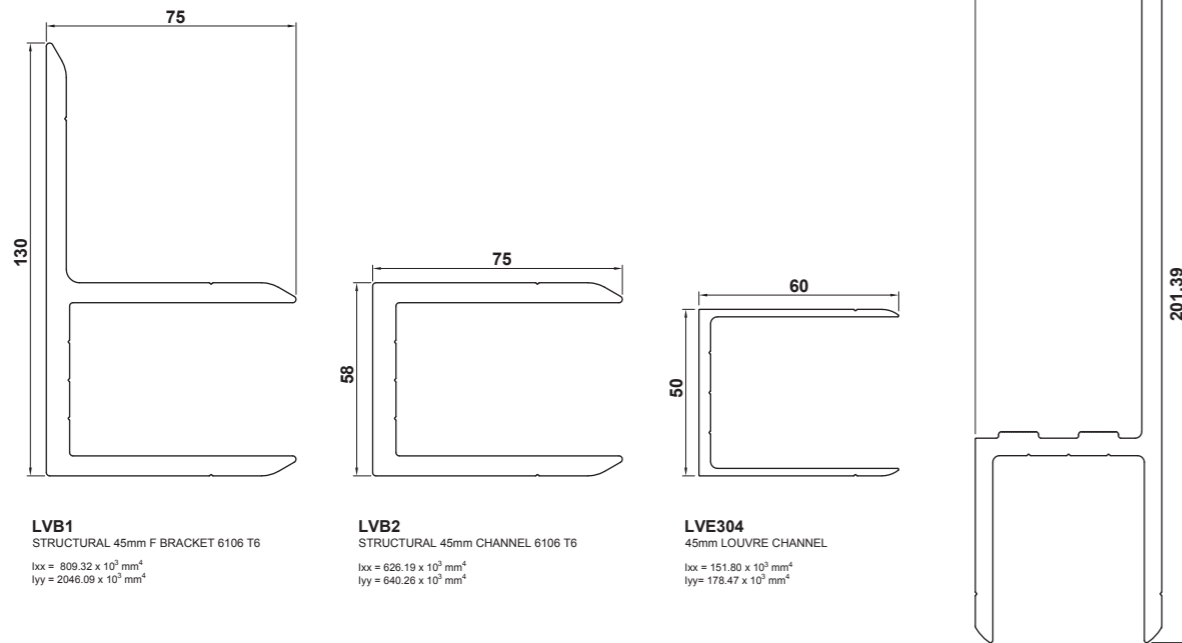
LVE359
45mm x 100mm RECTANGULAR MATING LOUVRE
Ixx = 780.16 x 10³ mm⁴
Iyy = 239.21 x 10³ mm⁴

LVE362
H NOSE CLIP
Ixx = 213.91 x 10³ mm⁴
Iyy = 188.99 x 10³ mm⁴

LVE310
45mm LOUVRE ADAPTOR
Ixx = 956.72 x 10² mm⁴
Iyy = 178.86 x 10² mm⁴

LVE311
45 x 75mm LOUVRE BULLNOSE
Ixx = 228.89 x 10³ mm⁴
Iyy = 121.91 x 10³ mm⁴

LVB4
45mm LOUVRE LOCKING BAR
Ixx = 80.18 x 10³ mm⁴
Iyy = 56.93 x 10³ mm⁴



LVB1
STRUCTURAL 45mm F BRACKET 6106 T6
Ixx = 809.32 x 10³ mm⁴
Iyy = 2046.09 x 10³ mm⁴

LVB2
STRUCTURAL 45mm CHANNEL 6106 T6
Ixx = 626.19 x 10³ mm⁴
Iyy = 640.26 x 10³ mm⁴

LVE304
45mm LOUVRE CHANNEL
Ixx = 151.80 x 10² mm⁴
Iyy = 178.47 x 10² mm⁴

HE526
VERTICAL FIN BLADE 6106 T6
Ixx = 8380.60 x 10³ mm⁴
Iyy = 78.29 x 10³ mm⁴

HE524
150mm MALE DG HOLLOW MULLION
Ixx = 3945.76 x 10³ mm⁴

LVB5
45mm LOUVRE BRACKET
Ixx = 5333.69 x 10³ mm⁴
Iyy = 732.22 x 10³ mm⁴

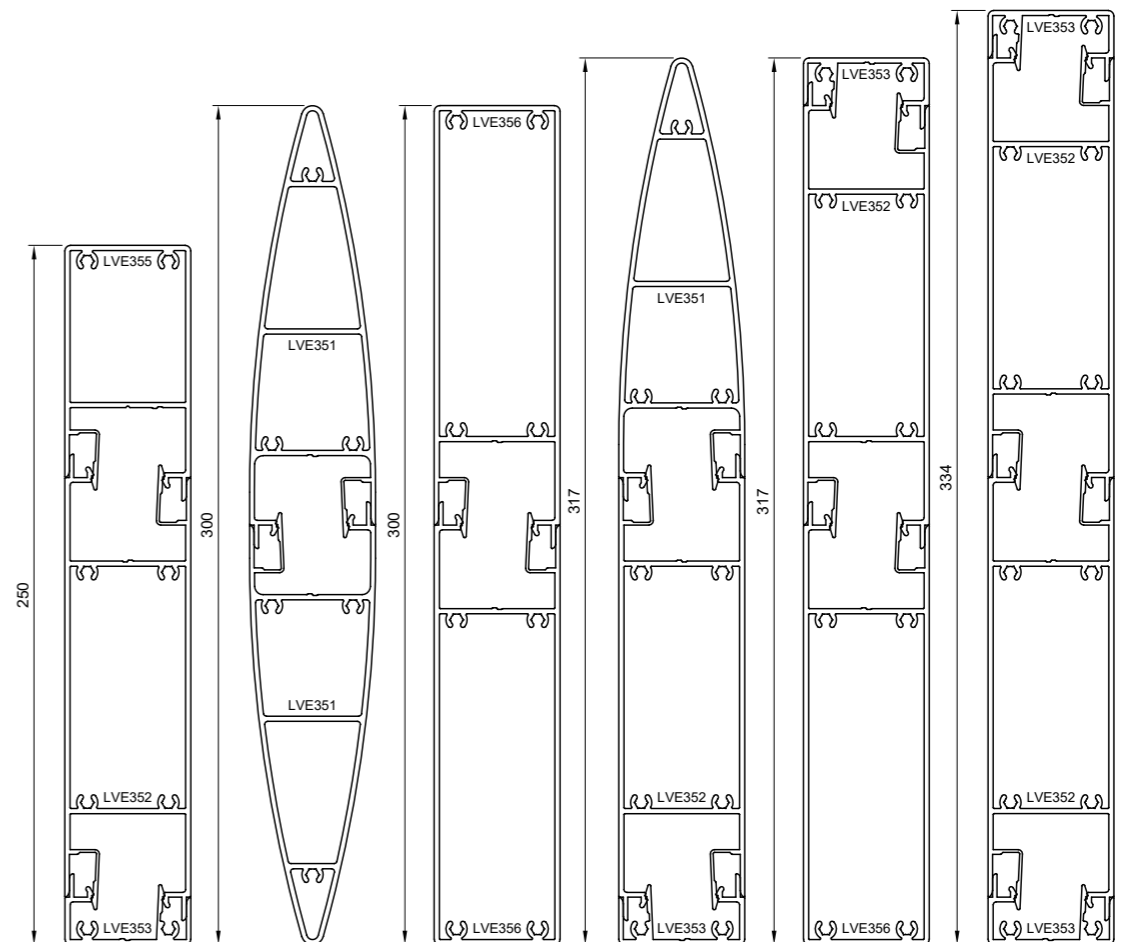
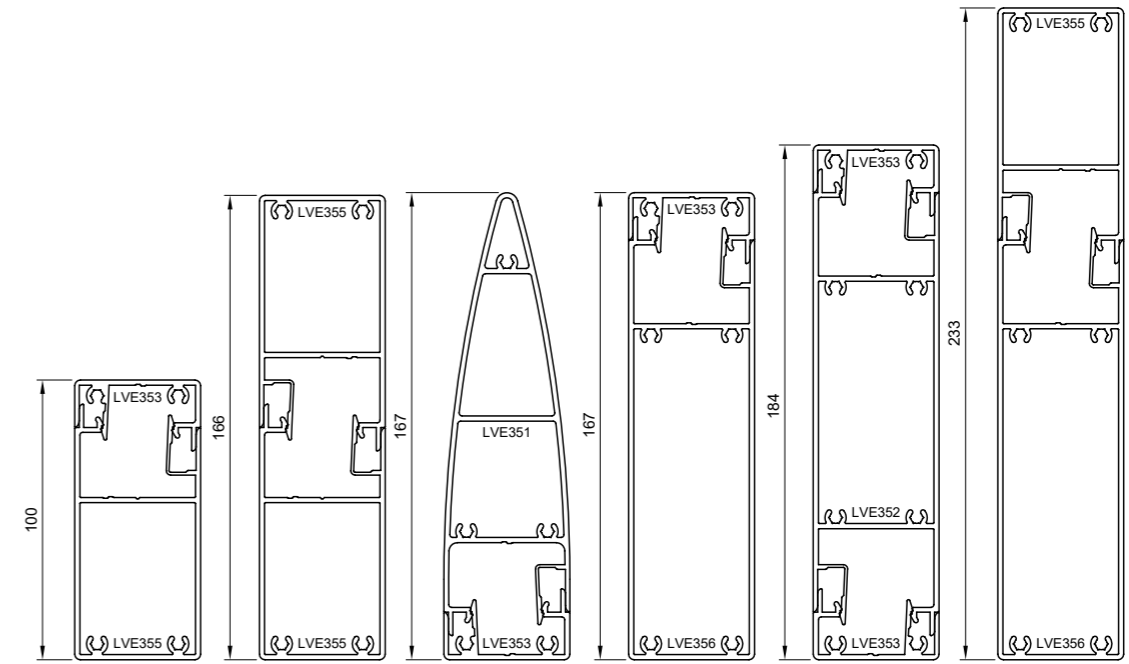
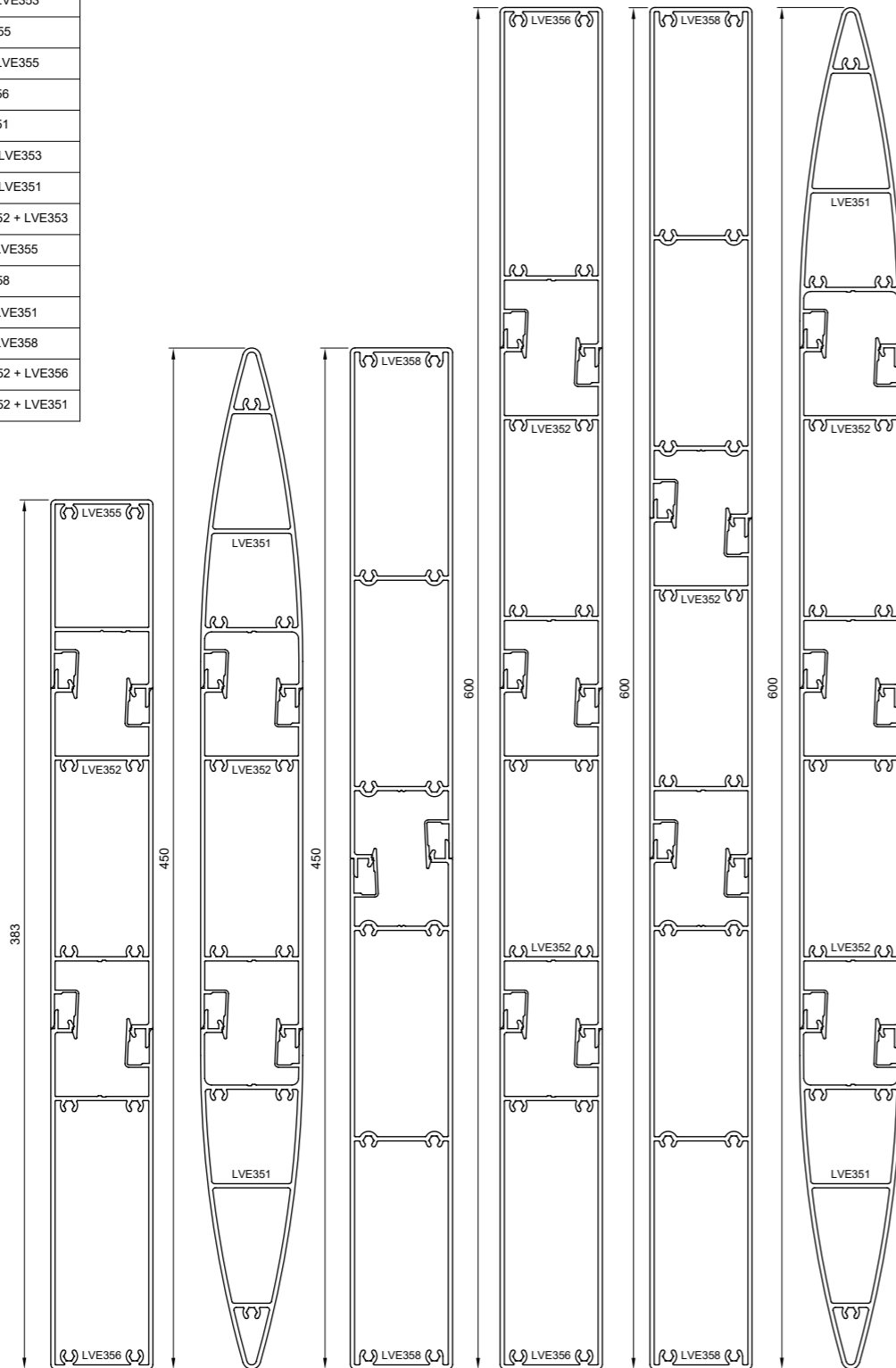
HE525
150mm FEMALE DG HOLLOW MULLION
Ixx = 2645.74 x 10³ mm⁴

FINISHED SIZE	MATING LOUVRE SECTIONS
100mm	LVE355 + LVE353
166mm	LVE355 + LVE355
167mm	LVE356 + LVE353
167mm	LVE353 + LVE351
184mm	LVE353 + LVE352 + LVE353
233mm	LVE356 + LVE355
250mm	LVE352 + LVE353 + LVE355
300mm	LVE356 + LVE356
300mm	LVE351 + LVE351
317mm	LVE356 + LVE352 + LVE353
317mm	LVE353 + LVE352 + LVE351
334mm	LVE353 + LVE352 + LVE352 + LVE353
383mm	LVE356 + LVE352 + LVE355
450mm	LVE358 + LVE358
450mm	LVE351 + LVE352 + LVE351
600mm	LVE358 + LVE352 + LVE358
600mm	LVE356 + LVE352 + LVE352 + LVE356
600mm	LVE351 + LVE352 + LVE352 + LVE351

Solaire™ Fixed Louvre 45mm

Extrusion 45mm Typical Louvre Combinations

FINISHED SIZE	MATING LOUVRE SECTIONS
100mm	LVE355 + LVE353
166mm	LVE355 + LVE355
167mm	LVE356 + LVE353
167mm	LVE353 + LVE351
184mm	LVE353 + LVE352 + LVE353
233mm	LVE356 + LVE355
250mm	LVE352 + LVE353 + LVE355
300mm	LVE356 + LVE356
300mm	LVE351 + LVE351
317mm	LVE356 + LVE352 + LVE353
317mm	LVE353 + LVE352 + LVE351
334mm	LVE353 + LVE352 + LVE352 + LVE353
383mm	LVE356 + LVE352 + LVE355
450mm	LVE358 + LVE358
450mm	LVE351 + LVE352 + LVE351
600mm	LVE358 + LVE352 + LVE358
600mm	LVE356 + LVE352 + LVE352 + LVE356
600mm	LVE351 + LVE352 + LVE352 + LVE351





Solaire™ Slim Louvre 25mm

The Solaire™ Slim range of self mating louvre fins has been developed to provide both Architects and Fabricators a flexible, yet simple solution to external solar control requirements that seamlessly integrate with Australia's unique architectural landscape. By utilising a range of self mating clip together blades and accessories, the Solaire™ product can be used as:

- Horizontal fins
- Vertical blades
- Window hoods

The Solaire™ Slim range has been built on the back of Alspec's architectural systems knowledge, which balances the needs of both form and function. Alspec's design offers a robust solution that offers our customers an economical and flexible fabrication option.

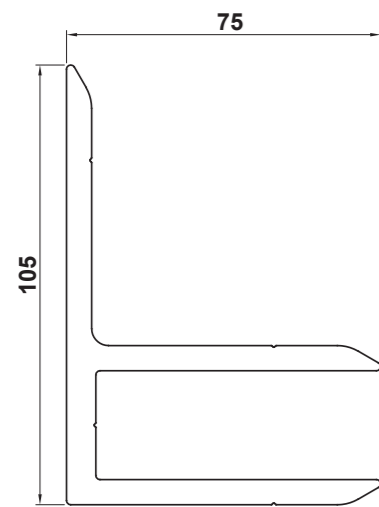
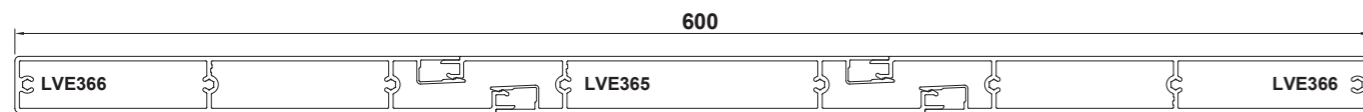
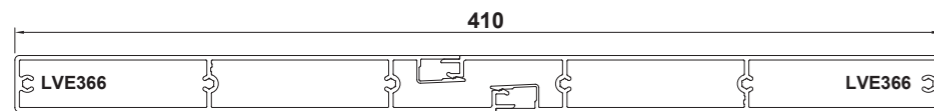
With countless configurable sizes and aesthetic possibilities, the Solaire™ Slim range is the perfect solution for your next residential or commercial project.



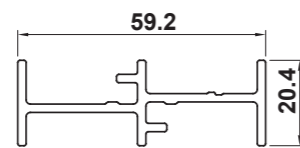
Solaire™ Slim Louvre 25mm

Extrusion 25mm Typical Louvre Combinations

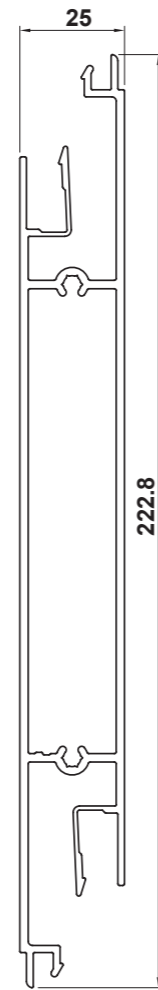
FINISHED SIZE	MATING LOUVRE SECTIONS
410mm	LVE366 + LVE366
600mm	LVE366 + LVE365 + LVE366



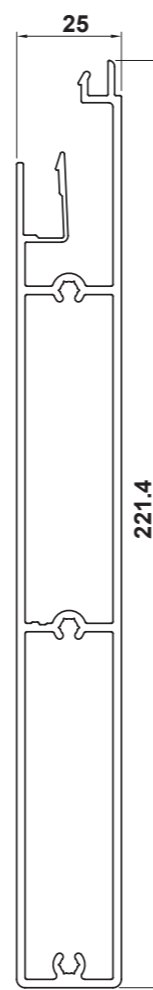
LVE363
25mm SLIM F
BRACKET 6106 T6



LVE364
25mm SLIM LOUVRE
LOCKING BAR 6106 T6



LVE365
25mm SLIM CENTRE
LOUVRE



LVE366
25mm SLIM END
LOUVRE





Solaire™ Batten

Alspec's Solaire™ Batten range has been designed to offer a superior seamless aesthetic in both domestic and commercial facade, fencing and pergola applications.

The battens are available from a 50 x 50mm through to a 200 x 50mm configuration in simple seamless click together aluminium sections.

The Solaire™ batten range is available in a wide range of durable powder coating finishes including timber grain coatings.



Environmentally friendly

- Low-carbon aluminium by Alspec



Elegant and smart design

- Flexible fitting options to exceed market requirements
- Available in a range of powdercoated or anodised finishes
- Innovative locking design improves rigidity and "clip" strength

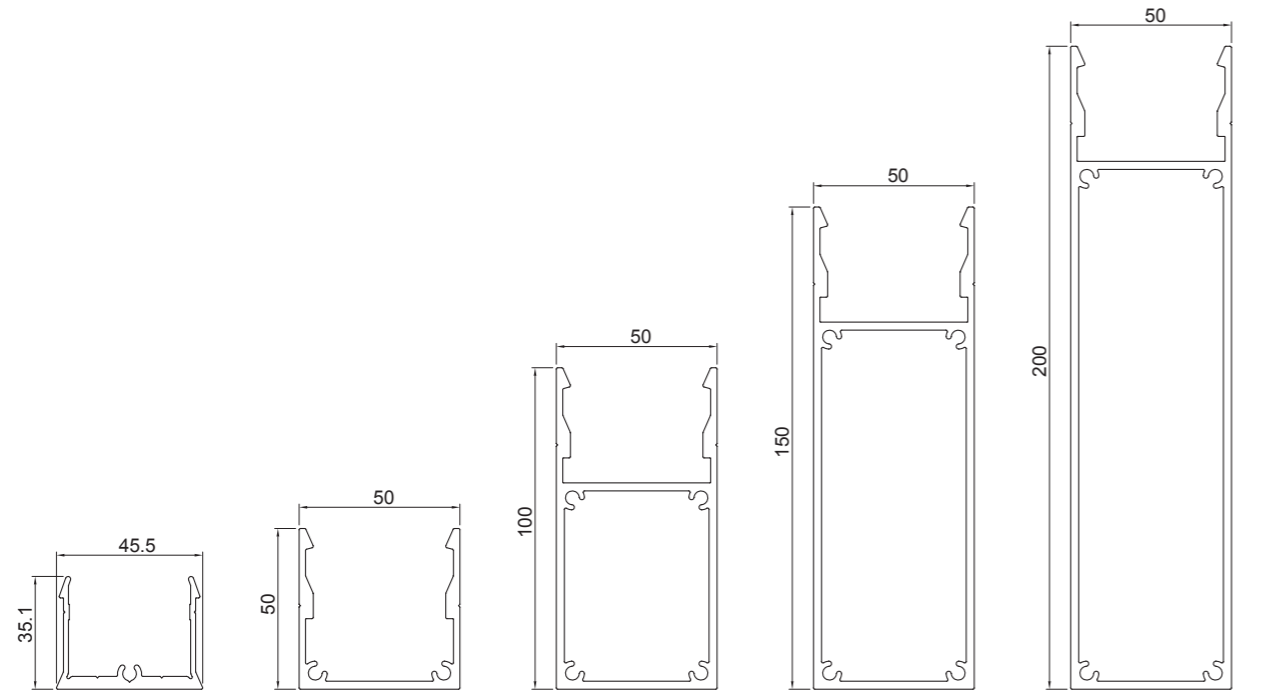


Built to last

- Aluminium will not rust, rot, crack or perish under Australia's harsh conditions



Battens



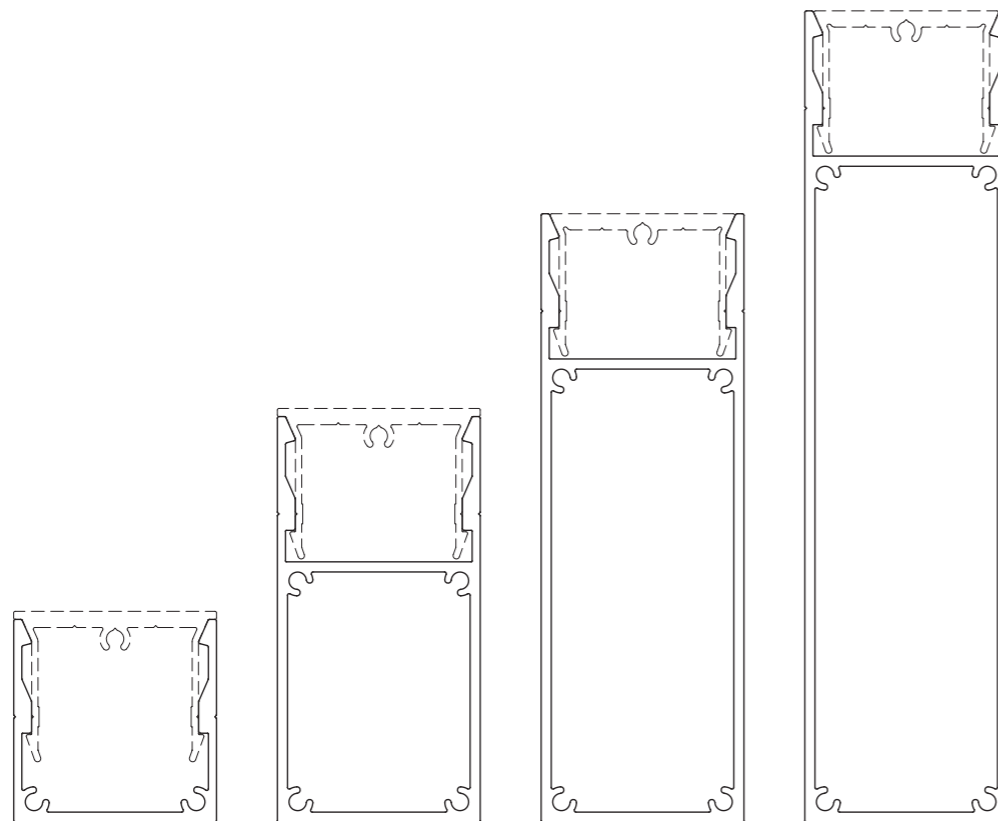
LVE501
50mm Batten
Flush Infill

LVE502
50 x 50mm Batten

LVE503
100 x 50mm Batten

LVE504
150 x 50mm Batten

LVE505
200 x 50mm Batten



LVE501 + LVE502

LVE501 + LVE503

LVE501 + LVE504

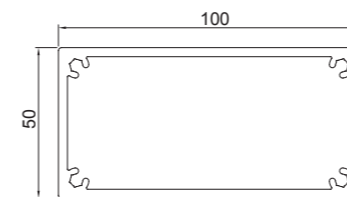
LVE501 + LVE505

Batten Configurations

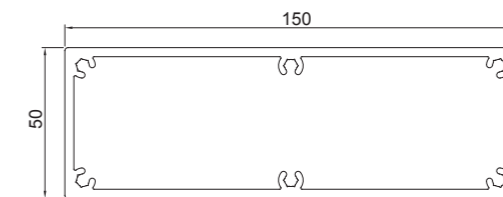
Finished Size	Component Configuration	Sections
50	50 + Flush Infill	LVE501 + LVE502
100	100 + Flush Infill	LVE501 + LVE503
150	150 + Flush Infill	LVE501 + LVE504
200	200 + Flush Infill	LVE501 + LVE505

Other Fixed Blade Options

- Self mating options available in 40mm, 50mm and 75mm configurations
- RHS sections with screw flutes



RB4SF
100 x 50 x 3mm RB4 with
Screw Flutes



RB6SF
150 x 50 x 3mm RB6 with Screw Flutes

SYDNEY

3 Alspec Place
Eastern Creek NSW 2766
Phone: 02 9834 9500
sydney@alspec.com.au

MELBOURNE

26-40 Pound Road West
Dandenong South VIC 3175
Phone: 03 8787 6333
melbourne@alspec.com.au

BRISBANE

8-22 Jutland Street
Loganlea QLD 4131
Phone: 07 3089 4900
brisbane@alspec.com.au

SOUTH AUSTRALIA

1 Pope Court
Beverley SA 5009
Phone: 08 8150 6960
adelaide@alspec.com.au

DARWIN

25 Bishop Street
Woolner NT 0820
Phone: 08 8941 7300
darwin@alspec.com.au

CANBERRA

28 Sheppard Street
Hume ACT 2620
Phone: 02 5134 3300
canberra@alspec.com.au

PERTH

30 Holder Way
Malaga WA 6090
Phone: 08 9209 9100
perth@alspec.com.au

NEWCASTLE

95 Griffiths Road
Lambton NSW 2299
Phone: 02 4952 9111
newcastle@alspec.com.au

BRENDALE

24 Doherty Street
Brendale QLD 4500
Phone: 07 3205 9911
brendale@alspec.com.au

SUNSHINE COAST

4-8 Empire Crescent
Chevallum QLD 4555
Phone: 07 5437 6123
sunshinecoast@alspec.com.au

TOWNSVILLE

5 - 7 Whitehouse Street
Garbutt QLD 4814
Phone: 07 4447 1300
townsville@alspec.com.au

CAIRNS

34-38 Hargreaves Street
Edmonton QLD 4869
Phone: 07 4037 6666
cairns@alspec.com.au

BUNDABERG

17 Production Street
Svensson Heights QLD 4670
Phone: 07 4111 2000
bundaberg@alspec.com.au

CARRUM DOWNS

99 Frankston Gardens Drive
Carrum Downs VIC 3201
Phone: 03 9775 1223
carrumdowns@alspec.com.au

ALBURY

Coming Soon

1300 ALSPEC (1300 257 732)

alspec.com.au

Printing Disclaimer

This brochure reflects information current as of March 2026 For the latest updates and product details, please visit our website.